

## FANUC Robot M-3iA



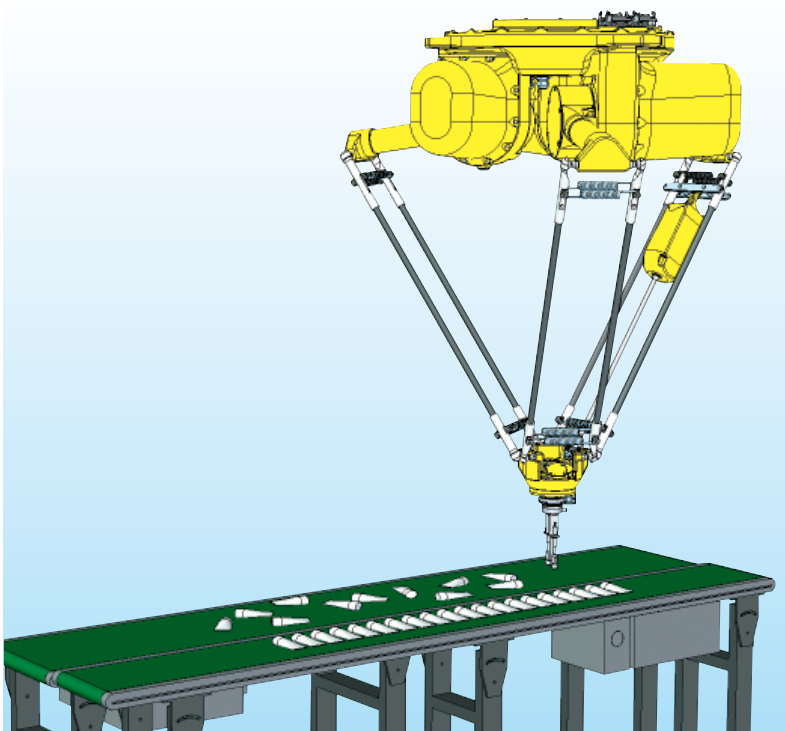
### FEATURES

FANUC Robot M-3iA is a 6kg payload high speed picking and assembly robot.

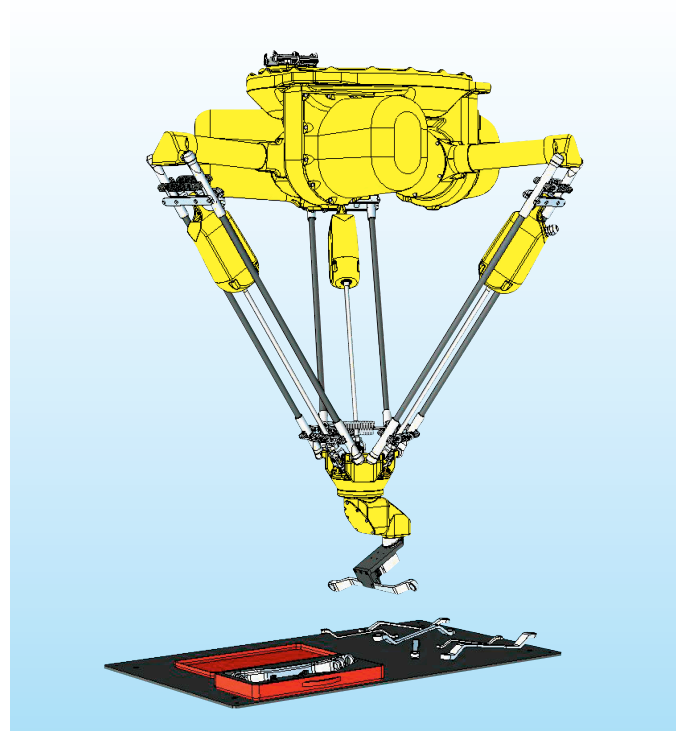
The exclusive 6 axes type of parallel link robot expanded robotization of transferring and assembling application.

- Two models are available to meet a variety of applications.
  - FANUC Robot M-3iA/6S  
Total 4 axes robot including single axis rotation at wrist. This model is suitable for high speed picking of plenty of work pieces on the conveyor.
  - FANUC Robot M-3iA/6A  
Total 6 axes robot including three rotation axes at wrist. This model can change wrist direction freely and suitable for assembling application.
- IP67 of enclosed mechanical unit realized reliable water and dust proof ability.
- Food adaptation option is available that adopts suitable material, high durability surface treatment and food grade lubricant. It will progress robotization of food market.
- The latest intelligent functions can be applied using vision sensor or force sensor.

### Application system



Visual tracking by M-3iA/6S



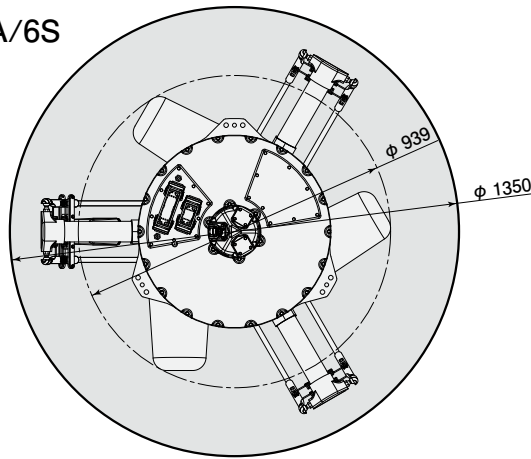
Tools kitting into tool box by M-3iA/6A

# FANUC Robot M-3iA

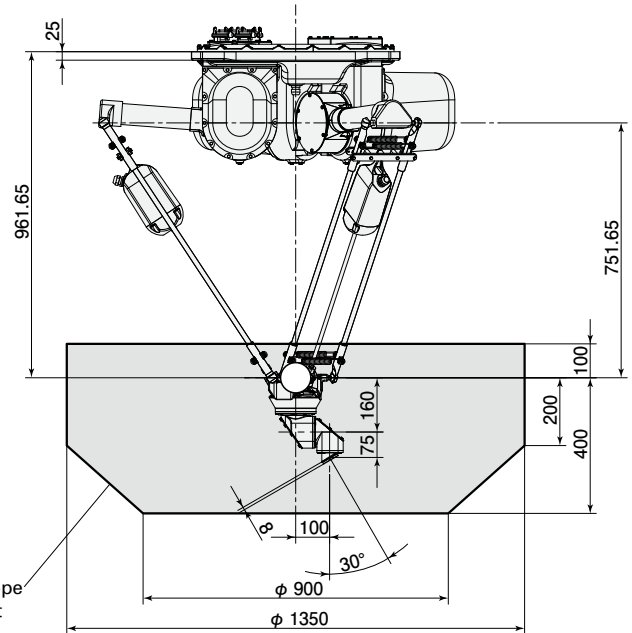
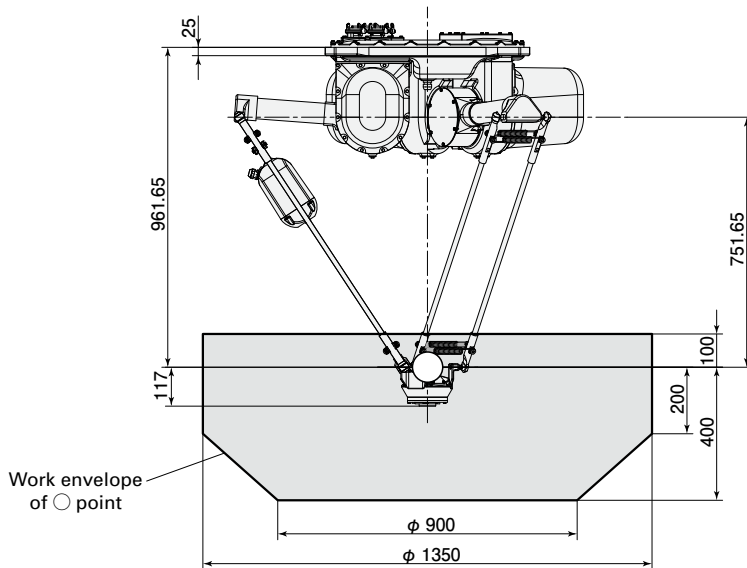
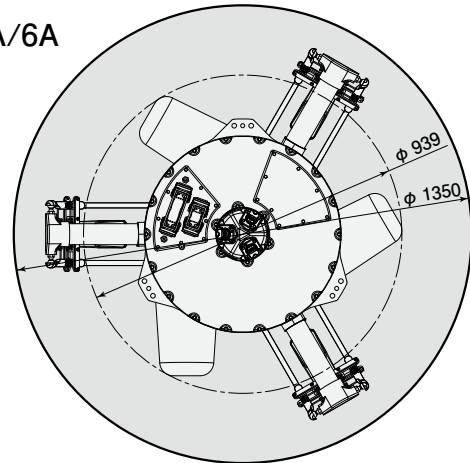
## Operating space

Patent pending

M-3iA/6S



M-3iA/6A



## Specifications

Item	Specifications		
	M-3iA/6S	M-3iA/6A	
Type	Parallel link mechanism		
Controlled axes	4 axes (J1, J2, J3, J4)	6 axes (J1, J2, J3, J4, J5, J6)	
Installation	Ceiling mount	Ceiling mount	
Motion range (Maximum speed) (Note1)	J1-J3	Diameter 1,350mm, height 500mm	
	J4	720° (4000°/sec) 12.57 rad (69.81 rad/sec)	720° (2000°/sec) 12.57 rad (34.90 rad/sec)
	J5	-	300° (2000°/sec) 5.24 rad (34.90 rad/sec)
	J6	-	720° (2000°/sec) 12.57 rad (34.90 rad/sec)
Max.payload at wrist	6kg		
Repeatability	0.1mm		
Drive method	Electric servo drive by AC servo motor		
Mass	140 kg	153 kg	
Installation environment	Ambient temperature : 0~45°C Ambient humidity Normally : 75%RH or less (No dew, nor frost allowed) Short term : Max. 95%RH or less (within one month) Vibration : 0.5G or less		

Note 1) In case of short distance motion, the axis speed doesn't reach maximum one.

# FANUC LTD

• Headquarters Oshino-mura, Yamanashi 401-0597, Japan Phone: 81-555-84-5555 Fax: 81-555-84-5512 <http://www.fanuc.co.jp>

### Overseas Affiliated Companies

FANUC Robotics America, Inc.  
 FANUC Robotics Europe S.A.  
 FANUC KOREA CORPORATION  
 BEIJING-FANUC MECHATRONICS CO., LTD  
 FANUC INDIA PRIVATE LIMITED  
 SHANGHAI-FANUC ROBOTICS CO., LTD.  
 FANUC THAI LIMITED  
 TATUNG-FANUC ROBOTICS COMPANY  
 FANUC MECHATRONICS (MALAYSIA) SDN. BHD.

3900 West Hamlin Road, Rochester Hills, MI 48309-3253, U.S.A.  
 Zone Industrielle, L-6468 Echternach, Grand-Duché de Luxembourg  
 310-1, Bonsan, Jinyong-up, Kimhae City, Kyongnam, Korea  
 Xixi Zhong Road No.7, Shangdi Information Industry Base, Haidian District, Beijing 100085, P. R. China  
 41-A, Electronics City, KEONICS, Bangalore, 560 100, India  
 No. 500 Jinyu Road, Jin Qiao, Pu Dong, Shanghai, China  
 59/3 Soi Sukhumvit 39, Sukhumvit Road, Khwaeng Klongton, Nua, Khet Wattana, Bangkok 10110, Thailand  
 22 Chungshan N.Rd., 3rd Sec. Taipei, Taiwan 104, R.O.C.  
 No.32, Jalan Pengacara U1/48, Temasya Industrial Park, Section U1, Glenmarie, 40150 Shah Alam, Selangor Darul Ehsan, Malaysia  
 No.1 Teban Gardens Crescent, Singapore 608919, Singapore  
 10 Healey Circuit, Huntingwood, NSW 2148, Australia  
 17 Loper Ave. Airport Industrial Ests, Spartan Ext.2 P.O.Box 219, Isand 1600, Republic of South Africa

Phone: 1-248-377-7000 Fax: 1-248-377-7477  
 Phone: 352-727777-1 Fax: 352-727777-403  
 Phone: 82-55-346-0122 Fax: 82-55-346-2548  
 Phone: 86-10-6298-4739 Fax: 86-10-6298-4741  
 Phone: 91-80-2852-0057 Fax: 91-80-2852-0051  
 Phone: 86-21-5032-7700 Fax: 86-21-5032-7711  
 Phone: 66-2-662-6111 Fax: 66-2-662-6120  
 Phone: 886-2-2592-5252 Fax: 886-2-2598-4565

Phone: 60-3-7628-0110 Fax: 60-3-7628-0220  
 Phone: 65-6567-8566 Fax: 65-6566-5937  
 Phone: 61-2-8822-4600 Fax: 61-2-8822-4666  
 Phone: 27-11-392-3610 Fax: 27-11-392-3615

• All specifications are subject to change without notice.  
 • No part of this catalog may be reproduced in any form.  
 • The products in this catalog are controlled based on Japan's "Foreign Exchange and Foreign Trade Law". The export from Japan may be subject to an export license by the government of Japan. Further, re-export to another country may be subject to the license of the government of the country from where the product is re-exported. Furthermore, the product may also be controlled by re-export regulations of the United States government. Should you wish to export or re-export these products, please contact FANUC for advice.