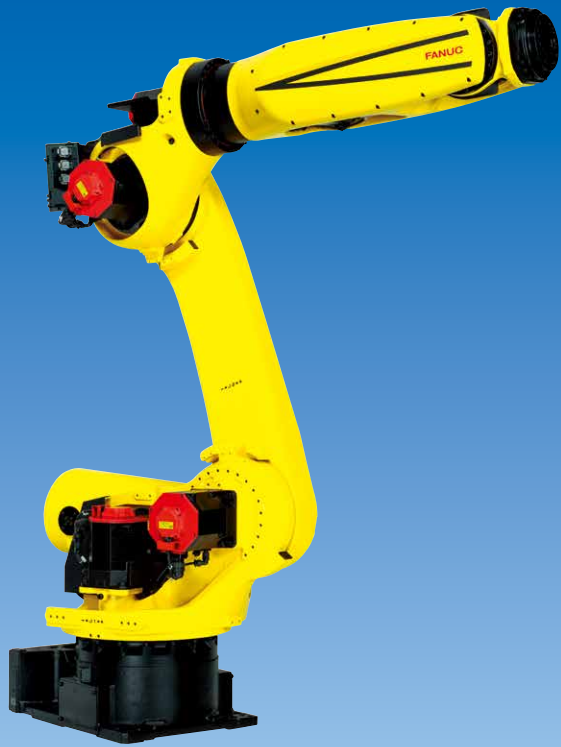


# FANUC Robot R-2000iD

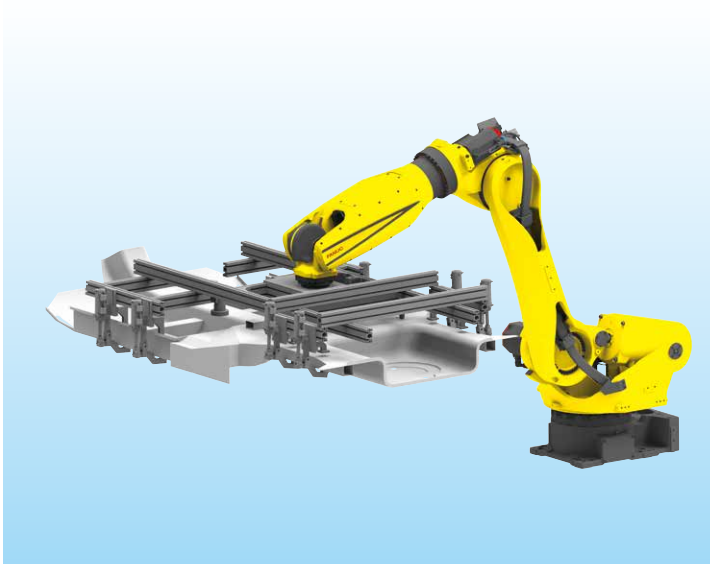


## Features

FANUC Robot R-2000iD is a large size robot based on the renowned technology and reliability of R-2000i series, with the wrist cables integrated into the stylish and compact hollow arm.

- The installation area is reduced by 23%, the mass of the mechanical unit by 10%, and the interference radius of the wrist by 13%, compared with the existing robot. The robot is suitable for various processes in dense layout work cells.
- Off-line teaching can be performed, without concerns about the behavior of cables that are difficult to predict, by mounting the wrist cables inside the hollow arm.
- Extensive options will support your needs in various applications, such as spot welding, material handling and assembly, including the spot welding solution arm.
- The R-30iB Plus controller is used to control the robot, where the energy regeneration option provides energy saving and the user interface iHMI realizes ease of use.
- Various features are available such as Maintenance Reminder, Learning Vibration Control, Bin Picking, Force Sensor.

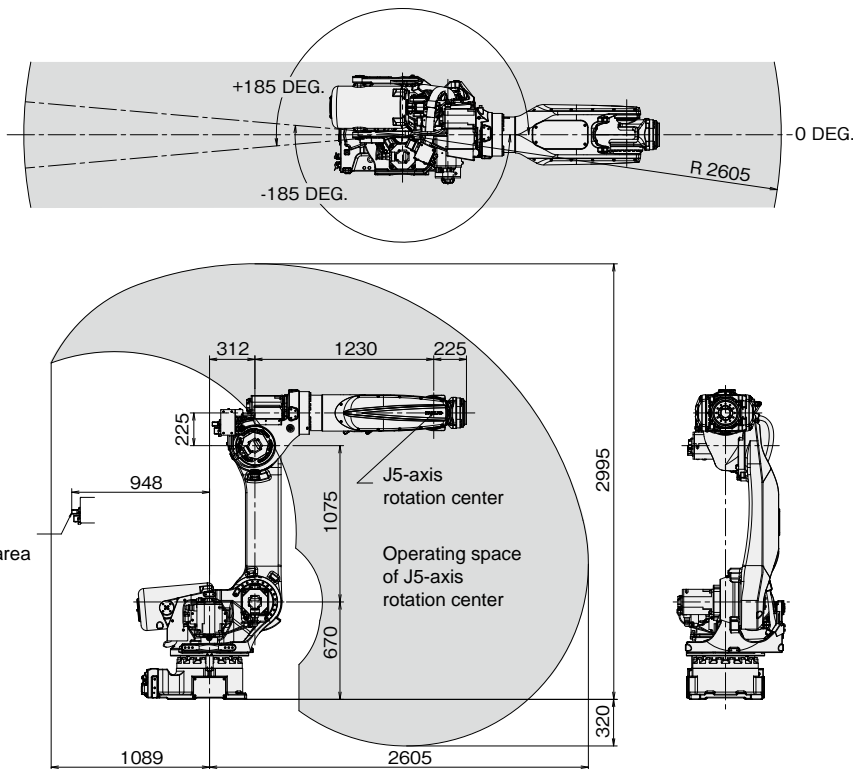
## Application Example



Large Panel Handling



High Speed Spot Welding



## Specifications

Model		R-2000iD/210FH	R-2000iD/165FH
Type		Articulated Type	
Controlled axes		6 axes (J1, J2, J3, J4, J5, J6)	
Reach		2605 mm	
Installation		Floor	
Motion range (Maximum speed) Note 1)	J1 axis rotation	370° (120°/s) 6.46 rad (2.09 rad/s)	370° (130°/s) 6.46 rad (2.27 rad/s)
	J2 axis rotation	140° ( 90°/s) 2.44 rad (1.57 rad/s)	140° (110°/s) 2.44 rad (1.92 rad/s)
	J3 axis rotation	233.9° (100°/s) 4.08 rad (1.75 rad/s)	233.9° (115°/s) 4.08 rad (2.01 rad/s)
	J4 axis wrist rotation	420° (140°/s) 7.33 rad (2.44 rad/s)	420° (175°/s) 7.33 rad (3.05 rad/s)
	J5 axis wrist swing	250° (130°/s) 4.36 rad (2.27 rad/s)	250° (170°/s) 4.36 rad (2.97 rad/s)
	J6 axis wrist rotation	420° (220°/s) 7.33 rad (3.84 rad/s)	420° (280°/s) 7.33 rad (4.89 rad/s)
Max. load capacity at wrist		210 kg	165 kg
Max. load capacity at J2 base		550 kg	550 kg
Max. load capacity on J3 casing		20 kg	20 kg
Allowable load moment at wrist	J4 axis	1380 N·m 141 kgf·m	1000 N·m 102 kgf·m
	J5 axis	1380 N·m 141 kgf·m	1000 N·m 102 kgf·m
	J6 axis	735 N·m 75 kgf·m	620 N·m 63 kgf·m
Allowable load inertia at wrist	J4 axis	228 kg·m <sup>2</sup> 2327 kgf·cm·s <sup>2</sup>	122 kg·m <sup>2</sup> 1245 kgf·cm·s <sup>2</sup>
	J5 axis	228 kg·m <sup>2</sup> 2327 kgf·cm·s <sup>2</sup>	122 kg·m <sup>2</sup> 1245 kgf·cm·s <sup>2</sup>
	J6 axis	196 kg·m <sup>2</sup> 2000 kgf·cm·s <sup>2</sup>	100 kg·m <sup>2</sup> 1020 kgf·cm·s <sup>2</sup>
Drive method		Electric servo drive by AC servo motor	
Repeatability Note 2)		± 0.05 mm	
Mass Note 3)		1130 kg	
Installation environment		Ambient temperature : 0 to 45°C Ambient humidity : Normally 75 %RH or less (No dew, nor frost allowed) Short term Max. 95 %RH or less (within one month) Vibration acceleration : 4.9 m/s <sup>2</sup> (0.5G) or less	

Note 1) During short distance motions, the axis speed may not reach the maximum value stated.

Note 2) Compliant with ISO 9283.

Note 3) Without controller.

# FANUC CORPORATION

Headquarters Oshino-mura, Yamanashi 401-0597, Japan  
 Phone: 81-555-84-5555 Fax: 81-555-84-5512 <https://www.fanuc.co.jp>

- Overseas Affiliated Companies
- FANUC America Corporation
- FANUC Europe Corporation, S.A.
- SHANGHAI-FANUC Robotics CO., LTD.
- KOREA FANUC CORPORATION
- TAIWAN FANUC CORPORATION
- FANUC INDIA PRIVATE LIMITED
- FANUC SINGAPORE PTE. LTD.
- FANUC THAI LIMITED
- FANUC MECHATRONICS (MALAYSIA) SDN. BHD.
- PT. FANUC INDONESIA
- FANUC OCEANIA PTY. LIMITED
- FANUC SOUTH AFRICA (PROPRIETARY) LIMITED

- 3900 West Hamlin Road, Rochester Hills, MI 48309-3253, U.S.A.
- 7, rue Benedikt Zender, L-6468 Echternach, Grand-Duché de Luxembourg
- No. 1500 Fullan Road, Baoshan Area, Shanghai, China
- 101, Wanam-ro(st), Seongsan-gu, Changwon-si, Gyeongsangnam-do, 642-290 Republic of Korea
- No.10, 16th Road, Taichung Industrial Park, Taichung, Taiwan
- 41-A, Electronics City, Bangalore, 560 100, India
- No.1 Teban Gardens Crescent, Singapore 608919, Singapore
- 1301 Pattanakarn Road, Kwaeng Suanluang, Khet Suanluang, Bangkok 10250 Thailand
- No.32, Jalan Pengacara U1/48, Temasya Industrial Park, Section U1, Glenmarie, 40150 Shah Alam, Selangor Darul Ehsan, Malaysia
- JL. Boulevard Bukit Gading Raya Blok R, Jakarta 14240 Indonesia
- 10 Healey Circuit, Huntingwood, NSW 2148, Australia
- 17 Loper Ave. Aeroport Industrial Ests. Spartan Ext.2 P.O.Box 219, Isando 1600, Republic of South Africa

- Phone: 1-248-377-7000 Fax: 1-855-774-7051
- Phone: 352-727777-1 Fax: 352-727777-403
- Phone: 86-21-5032-7700 Fax: 86-21-5032-7711
- Phone: 82-55-278-1200 Fax: 82-55-284-9826
- Phone: 886-4-2359-0522 Fax: 886-4-2359-0771
- Phone: 91-80-2852-0057 Fax: 91-80-2852-0051
- Phone: 65-6567-8566 Fax: 65-6566-5937
- Phone: 66-2-714-6111 Fax: 66-2-714-6120
- Phone: 60-3-7628-0110 Fax: 60-3-7628-0220
- Phone: 62-21-4584-7285 Fax: 62-21-4584-7288
- Phone: 61-2-8822-4600 Fax: 61-2-8822-4666
- Phone: 27-1-1-392-3610 Fax: 27-1-1-392-3615

- All specifications are subject to change without notice.
- No part of this catalog may be reproduced in any form.
- The products in this catalog are controlled based on Japan's "Foreign Exchange and Foreign Trade Law". The export from Japan may be subject to an export license by the government of Japan. Further, re-export to another country may be subject to the license of the government of the country from where the product is re-exported. Furthermore, the product may also be controlled by re-export regulations of the United States government. Should you wish to export or re-export these products, please contact FANUC for advice.