

# FANUC Robot CRX series



**CRX-5iA**

**CRX-10iA**

**CRX-10iA/L**

**CRX-20iA/L**

**CRX-25iA**

## Safety

- **Contact Stop**

Safely stops with only a light contact with humans

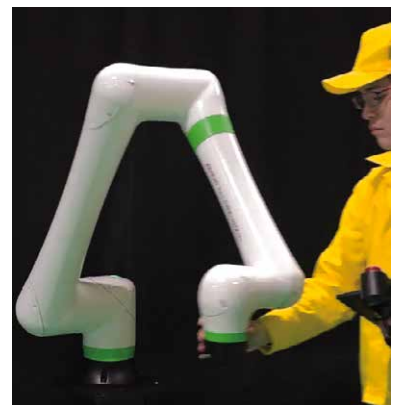


Safety certified to ISO 10218-1  
(Including ISO/TS15066)

## Ease of Use

- **Manual Guided Teach**

Intuitive and responsive manual guided teach



- **Many intelligent functions**

Latest intelligent functions, such as built-in vision and force sensors, are available

# Ease of Use

## • Plugin peripheral devices

- CRX Plugin compatible devices are listed on the FANUC web site with links to the device suppliers web site.
- The device suppliers can provide their custom menu and custom icons as plugin software.



Custom menu



Custom icons

## • Tablet TP

New Tablet TP Interface



Easy operation focusing on simple functions

iPendant Interface



Full specifications

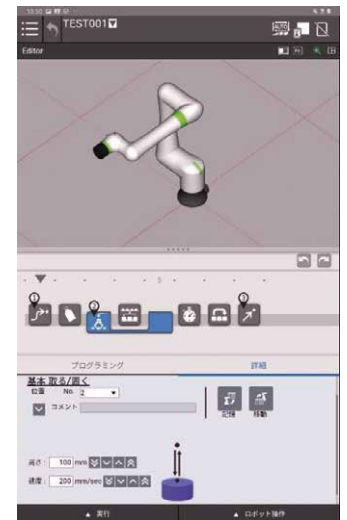
## • Icon based programming

New intuitive touch panel user interface



Timeline

- Drag & drop icons to the timeline to teach



- Touch icons in the timeline to show details
- Modify parameters for commands

# High Reliability

## • Lifetime Maintenance



- FANUC keeps providing services as long as the customers continue to use our products.
- FANUC stores sufficient spare parts of even discontinued products.

## • Maintenance-Free (for 8 years)

- Motors, reducers, sensors, cables, grease, etc.

## • Service First



2021/Dec

- Service and support network all over the world

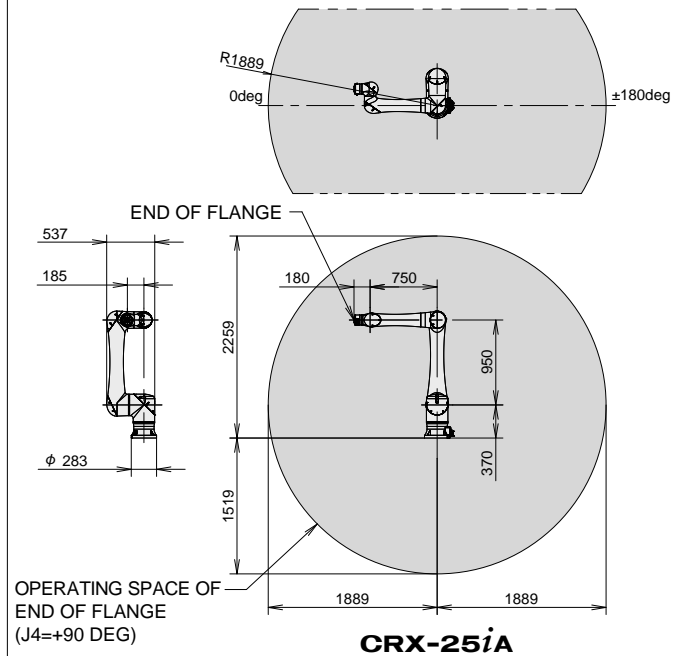
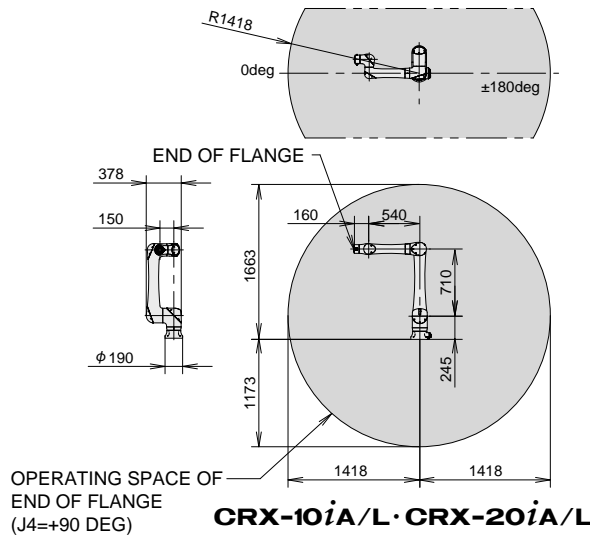
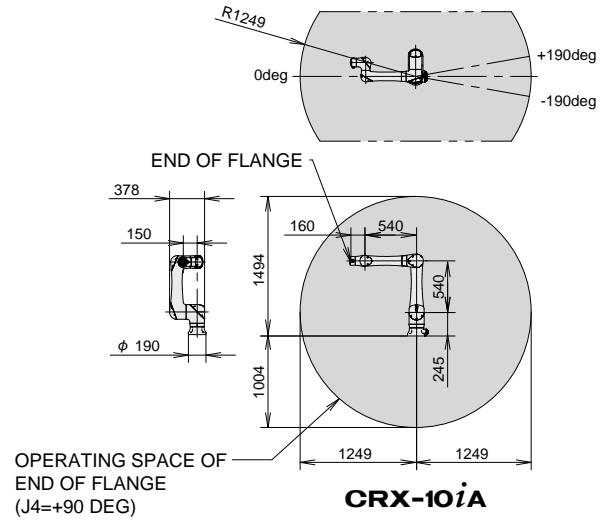
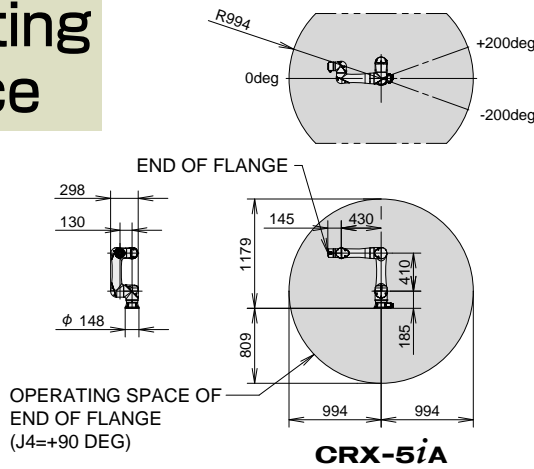
# Lightweight Mechanical Unit

## • Easy and safe installation

- Lifting and Installation by two people without requiring lifting equipment (CRX-25iA is not included)



## Operating Space



Model		CRX-5iA	CRX-10iA	CRX-10iA/L	CRX-20iA/L	CRX-25iA
Type		6 axes (J1, J2, J3, J4, J5, J6)				
Reach		994 mm	1249 mm	1418 mm	1418 mm	1889 mm
Installation (Note 1)		Floor, Upside-down, Angle mount				
Maximum speed (Note 2, 3)	Colaborative mode	1000 mm/s	1000 mm/s	1000 mm/s	1000 mm/s	1000 mm/s
	High speed mode	2000 mm/s	2000 mm/s	2000 mm/s	2000 mm/s	2000 mm/s
Max. load capacity at wrist		5 kg	10 kg	20 kg	25 kg	25 kg
Allowable load moment at wrist	J4 axis	19.0 Nm	34.8 Nm	70.0 Nm	100.0 Nm	100.0 Nm
	J5 axis	15.4 Nm	26.0 Nm	64.0 Nm	74.0 Nm	74.0 Nm
	J6 axis	6.7 Nm	11.0 Nm	30.0 Nm	32.0 Nm	32.0 Nm
Allowable load inertia at wrist	J4 axis	0.77 kg·m <sup>2</sup>	1.28 kg·m <sup>2</sup>	4.00 kg·m <sup>2</sup>	4.70 kg·m <sup>2</sup>	4.70 kg·m <sup>2</sup>
	J5 axis	0.50 kg·m <sup>2</sup>	0.90 kg·m <sup>2</sup>	2.00 kg·m <sup>2</sup>	2.00 kg·m <sup>2</sup>	2.00 kg·m <sup>2</sup>
	J6 axis	0.10 kg·m <sup>2</sup>	0.30 kg·m <sup>2</sup>	0.04 kg·m <sup>2</sup>	0.04 kg·m <sup>2</sup>	0.05 kg·m <sup>2</sup>
Repeatability (Note 4)		±0.03 mm	±0.04 mm	±0.04 mm	±0.04 mm	±0.05 mm
Mass (Note 5)		25 kg	40 kg	41 kg	41 kg	135 kg
Noise (Note 6)		70 dB or less				
Degree of protection		IP67				
Installation environment		Ambient temperature : 0 to 45°C Ambient humidity : Normally 75%RH or less (No condensation allowed) : Short term (Within one month) 95%RH or less (No condensation allowed) Vibration acceleration : 4.9m/s <sup>2</sup> (0.5G) or less				
Matching Controller R-30iB Mini Plus	Rated Voltage	AC 100-120V, AC200-240V Single phase +10% -15%, 50/60Hz				
	Input power source capacity	1.5 kVA				
	Mass of controller	20 kg				22 kg
	Dimensions (WxDxH)	410x277x370 mm				
	Degree of protection	IP54				

Note 1) Angle mount needs motion range restriction according to with the payload. (CRX-5iA)  
 Note 2) During short distance motions, the axis speed may not reach the maximum value stated.  
 Note 3) It is necessary to set a motion speed according to risk assesment of system.  
 Note 4) Compliant with ISO9283.  
 Note 5) Without controller.

Note 6) This value is equivalent continuous A-weighted sound pressure level, which applied with ISO11201(EN31201). This value is measured with the following conditions.  
 - Maximum load and speed  
 - Operating mode is AUTO

# FANUC Robot CR series

- The CR series of green collaborative robot, which use common mechanical units with the conventional robots that have many years of proven reliability, are also available.



Application Examples



CR-4iA

CR-7iA

CR-7iA/L  
CR-14iA/L

CR-15iA

CR-35iB

## FANUC WEB Site



FANUC  
WEB Site  
Home



CRX



Peripheral  
Devices for  
Plugin



Application  
Examples



YouTube

## FANUC CORPORATION

- Overseas Affiliated Companies
- FANUC America Corporation
- FANUC Europe Corporation, S.A.
- SHANGHAI-FANUC Robotics CO., LTD.
- KOREA FANUC CORPORATION
- TAIWAN FANUC CORPORATION
- FANUC INDIA PRIVATE LIMITED
- FANUC SINGAPORE PTE. LTD.
- FANUC THAI LIMITED
- FANUC MECHATRONICS (MALAYSIA) SDN. BHD.
- PT. FANUC INDONESIA
- FANUC OCEANIA PTY. LIMITED
- FANUC SOUTH AFRICA (PROPRIETARY) LIMITED

Phone: (+1)248-377-7000  
Phone: (+352)727777-1  
Phone: (+86)21-5032-7700  
Phone: (+82)55-278-1200  
Phone: (+886)4-2359-0522  
Phone: (+91)80-2852-0057  
Phone: (+65)6567-8566  
Phone: (+66)2-714-6111  
Phone: (+60)3-3082-1222  
Phone: (+62)21-4584-7285  
Phone: (+61)2-8822-4600  
Phone: (+27)11-392-3610

<https://www.fanucamerica.com/>  
<https://www.fanuc.eu/>  
<https://www.shanghai-fanuc.com.cn/>  
<https://www.fkc.co.kr/>  
<https://www.fanuctaiwan.com.tw/>  
<https://www.fanucindia.com/>  
<https://www.fanuc.com/fsp/>  
<https://www.fanuc.com/ftth/>  
<https://www.fanuc.com/fmm/>  
<https://www.fanuc.com/fm/>  
<https://www.fanucoceania.com.au/>  
<https://fanuc.co.za/>

- Headquarters 3580, Shibokusa, Oshino-mura, Minamitsuru-gun Yamanashi, 401-0597, JAPAN
- Phone: (+81)555-84-5555 <https://www.fanuc.co.jp/>

• All specifications are subject to change without notice.  
• No part of this catalog may be reproduced in any form.  
• The products in this catalog are controlled based on Japan's "Foreign Exchange and Foreign Trade Law". The export from Japan may be subject to an export license by the government of Japan. Further, re-export to another country may be subject to the license of the government of the country from where the product is re-exported. Furthermore, the product may also be controlled by re-export regulations of the United States government. Should you wish to export or re-export these products, please contact FANUC for advice.